
Main Assemblies

Figure 26 **Main Assemblies**

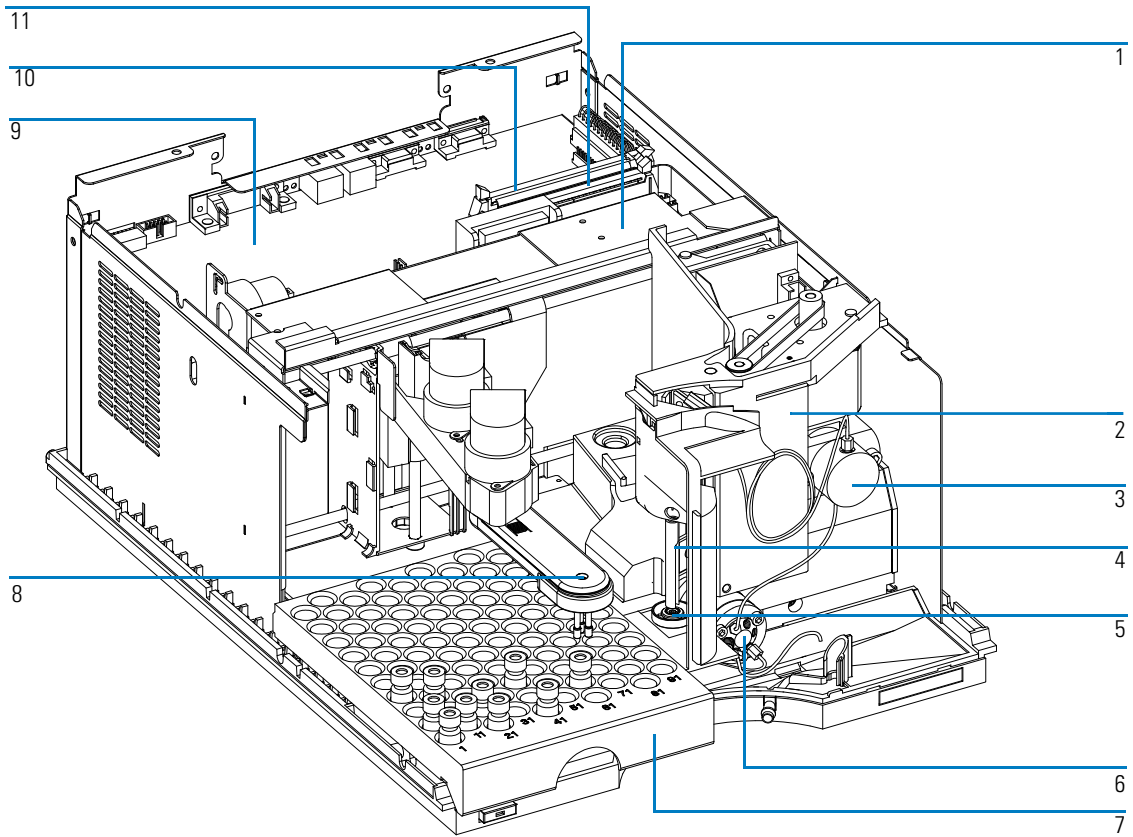


Table 9

Main Assemblies		
Item	Description	HP Part Number
1	Transport assembly (see page 164)	G1313-60009
2	Sampling unit assembly, excluding injection valve and analytical head assembly (see page 166)	G1313-60008
3	Analytical head assembly (see page 168)	01078-60003
4	Needle assembly	G1313-87201
5	Needle-seat assembly	G1313-87101
6	Injection valve assembly (see page 169)	0101-0921
7	Vial tray (see page 175)	G1313-44500
8	Gripper assembly	G1313-60010
9	Autosampler main board (ASM)	G1313-66520
	Exchange Assembly - ASM board	G1313-69520
10	Ribbon cable, sample transport	G1313-81601
11	Ribbon cable, sampling unit	G1313-81602
	Sampler-thermostat capillary (180mm, 0.17mm id)	G1313-87305
	Sampler-thermostat capillary (180mm, 0.12mm id)	G1313-87304
	Fan	3160-1017
	BCDboard (not shown)	G1351-68701
	Power supply assembly (part; not shown)	0950-2528